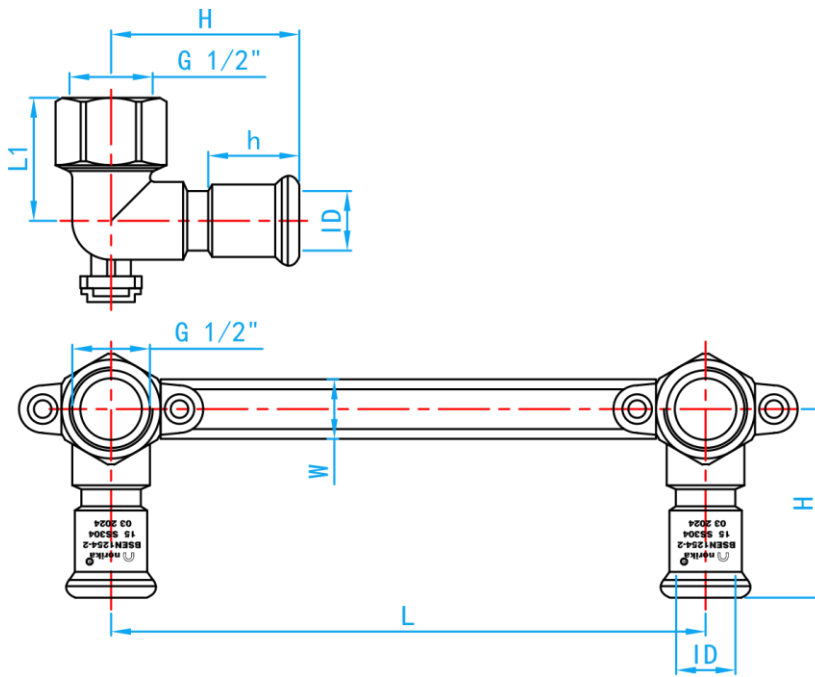


**STAINLESS STEEL 316L
PRESS FIT FITTINGS
(M PROFILE)**



COMPLY WITH BSEN1254-2: 1998

DOUBLE ELBOW WALL MOUNTED PLATE



SIDE VIEW

DIMENSIONS

SKU	SIZE ID × G (mm x inch)	L (mm)	L1 (mm)	H (mm)	h (mm)	W (mm)	WEIGHT (kg)	PCS/CTN
SS316LPFNFE015S*	15 × 1/2" BSP	150	31	47.5	23	15	0.200	40

*This item requires special ordering. Please consult with a salesperson for the estimated lead time.